

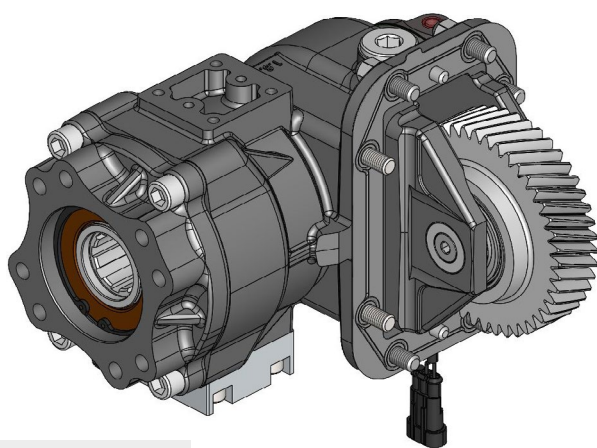
PTOs for ZF 8AP POWERLINE gearbox

We are pleased to inform you that a New range of PTOs for ZF 8AP POWERLINE is now available.

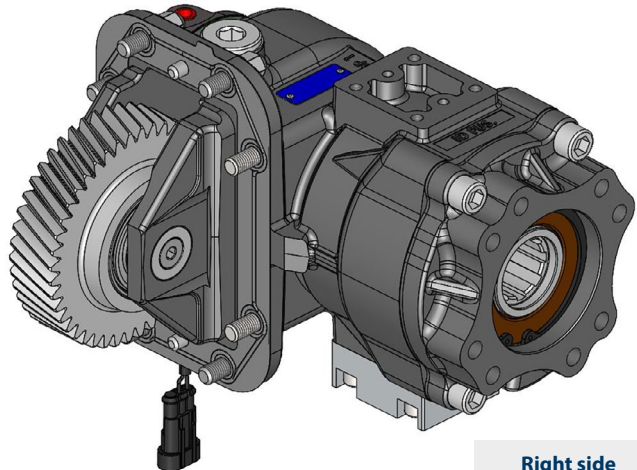
Main features:

- Right or left side mounting;
- 4 bolts ISO output;
- Pneumatic clutch shift
- Two ratios, 1:1,214 and 1:1,417

The product line will be soon implemented with new models with different ratios, size and performance.



Left side



Right side

PTO code	Version	PTO ratio @1000 eng.rpm	Max torque	Mounting side	Output	Rotation	Mounting kit	Weight
		<i>rpm</i>	<i>Nm</i>					<i>Kg</i>
01082300174	17	1214	430	Right	Rear	Anticlockwise	15400303786	30
01082500172		1417	370					
01083300172		1214	430	Left				
01083500170		1417	370					

Link:
[Foglio catalogo](#)

For any information you may need, please contact export department.